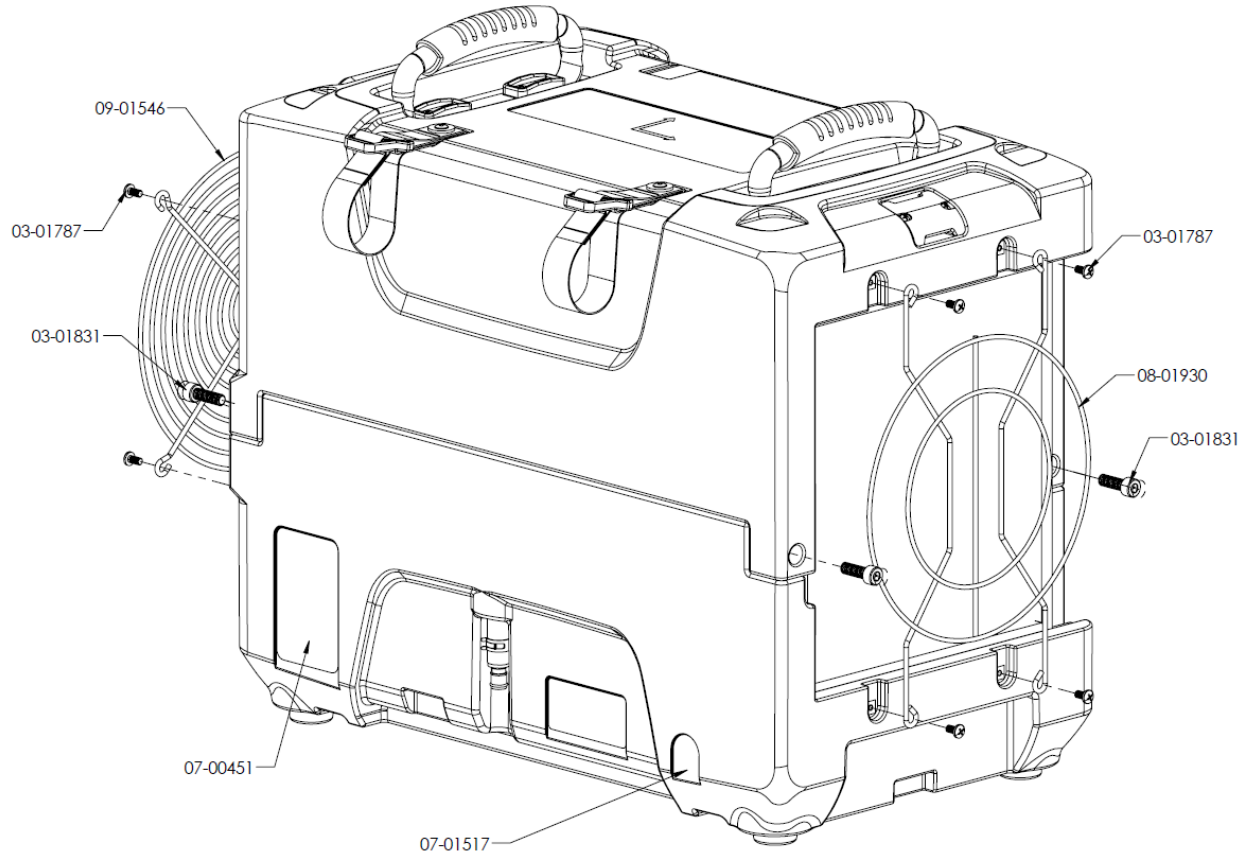


111995 (F413) REVOLUTION LGR 115/230V

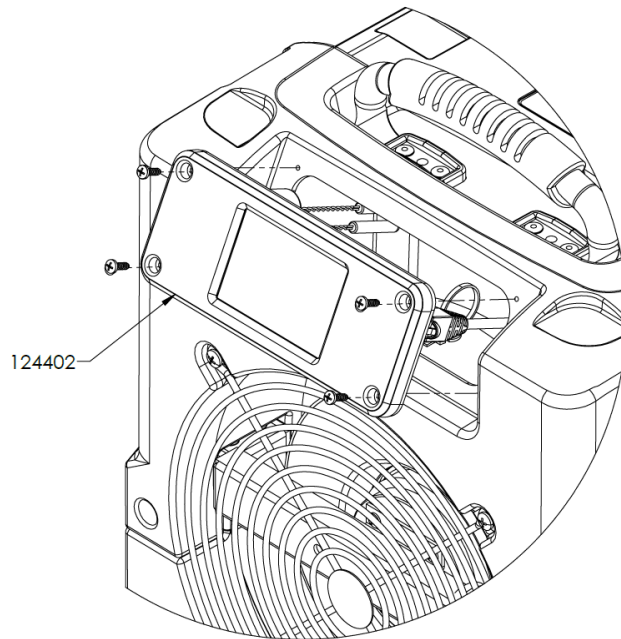
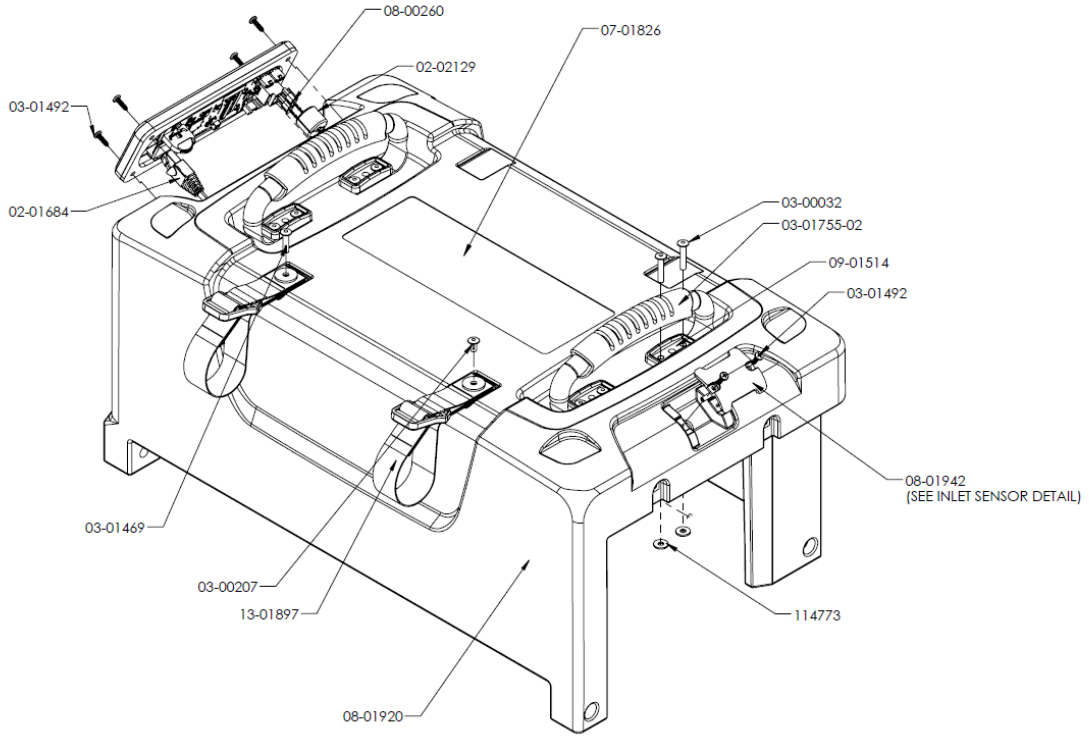
PARTS LIST

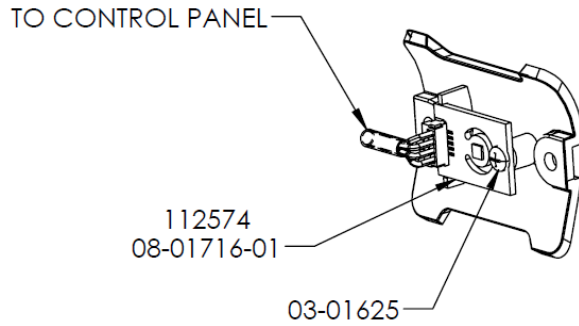


111995 (F413) - OUTER ASSEMBLY VIEW

NEW PART NO.	OLD PART NO.	QTY	DESCRIPTION
112671	03-01831	4	SCREW - M8 X 25MM SHCS ZP
112435	03-01787	8	SCREW - M5 X 10MM PHP ZP
107778	07-00451	1	LABEL - WARNING MIG ANSI EVOLUTION
108901	07-01517	1	LABEL - AHAM DEHUS
105656	08-01930	1	GRILL - FILTER INLET PC WR BLK REVOLUTION
117216	09-01546	1	GRILL - OUTLET PC GL BLK REVOLUTION

111995 (F413) - TOP ASSEMBLY VIEW



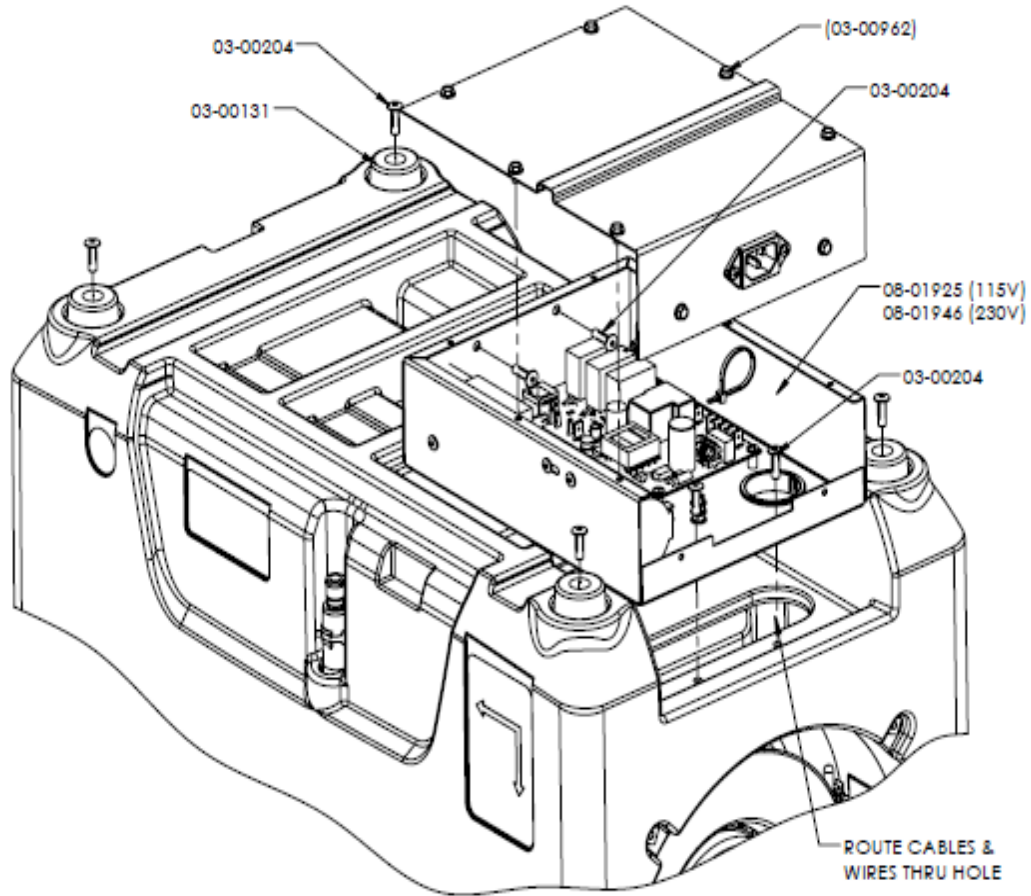


INLET SENSOR DETAIL

TOP ASSEMBLY PARTS LIST

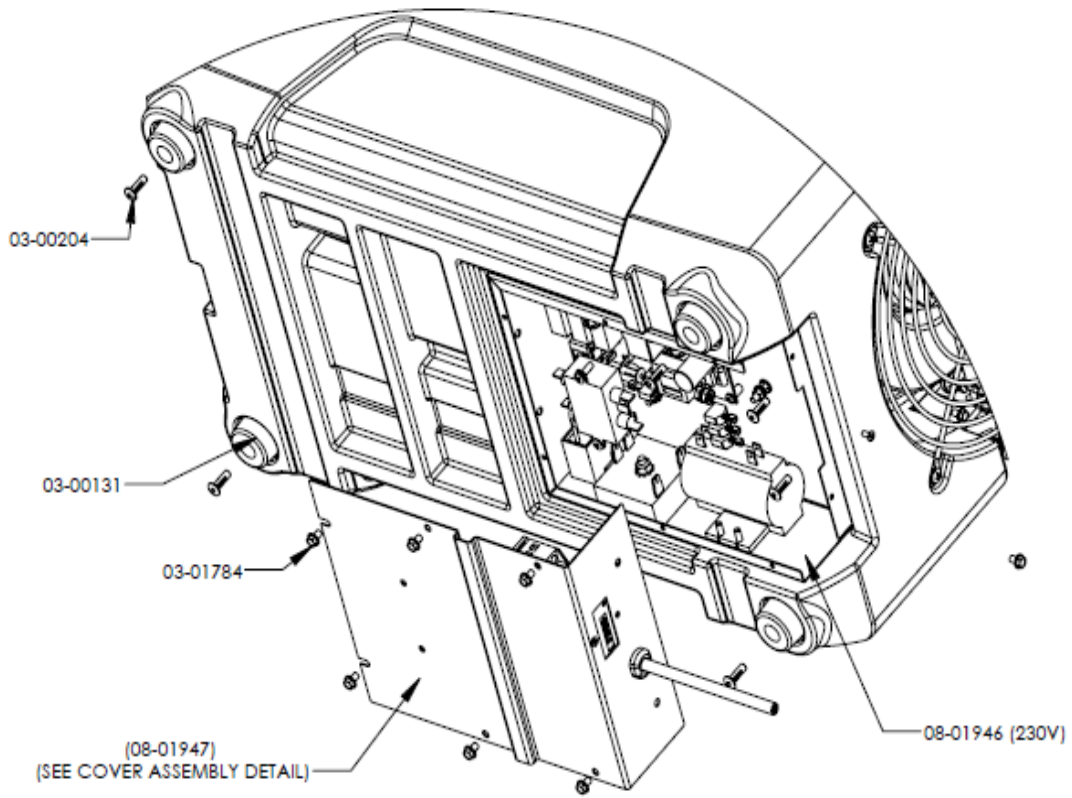
NEW PART NO.	OLD PART NO.	QTY	DESCRIPTION
102473	02-01684	1	CABLE ASSY - BLUE PATCH CAT 5E 3FT
114773	03-00013	2	WASHER - 3/16 RIVET .19 ID X .47 OD X .05 ZP
112014	03-00102	8	RIVET - 3/16 X 5/8 AL/AL BLK ANOD
112013	03-00207	1	RIVET - 3/16 X 3/8 TRI FOLD AL/AL
119256	03-01469	1	RIVET - 3/16 X 3/4 TRI FOLD AL/AL
114409	03-01492	6	SCREW - #6 X 1/2 AB PHP ZP
119385	03-01625	1	SCREW - #4 X 1/4 AB PHP ZP
117250	03-01755-02i	2	HANDLE - GRAB WITH LIFTING STRAP
109035	07-01826	1	LABEL - PRODUCT REVOLUTION
119488	08-00260	1	SENSOR CABLE ASSY - MICRO CONTROLLER TEMP DEFROST DEHUS
112574	08-02106-01	1	SENSOR ASSY - TEMP/RH SHT31 36" (FIRMWARE 3.18 OR LATER)
112915	08-01716-01	1	SENSOR ASSEMBLY – TEMP/RH CABLE (FIRMWARE 3.17 OR EARLIER)
106091	08-01920	1	HOUSING - TOP POLYETHYLENE FISHER BLU REVOLUTION
115081	08-01942	1	PLATE - INLET SENSOR COVER ABS BLK
124402	124402	1	KIT – COMMAND HUB
102724	09-01514	4	CLIP - HANDLE MTG NYLON BLK
119689	13-01897	2	STRAP ASSY – POWER CORD WITH G-HOOK

111995 (F413) - 115V BOTTOM ASSEMBLY VIEW



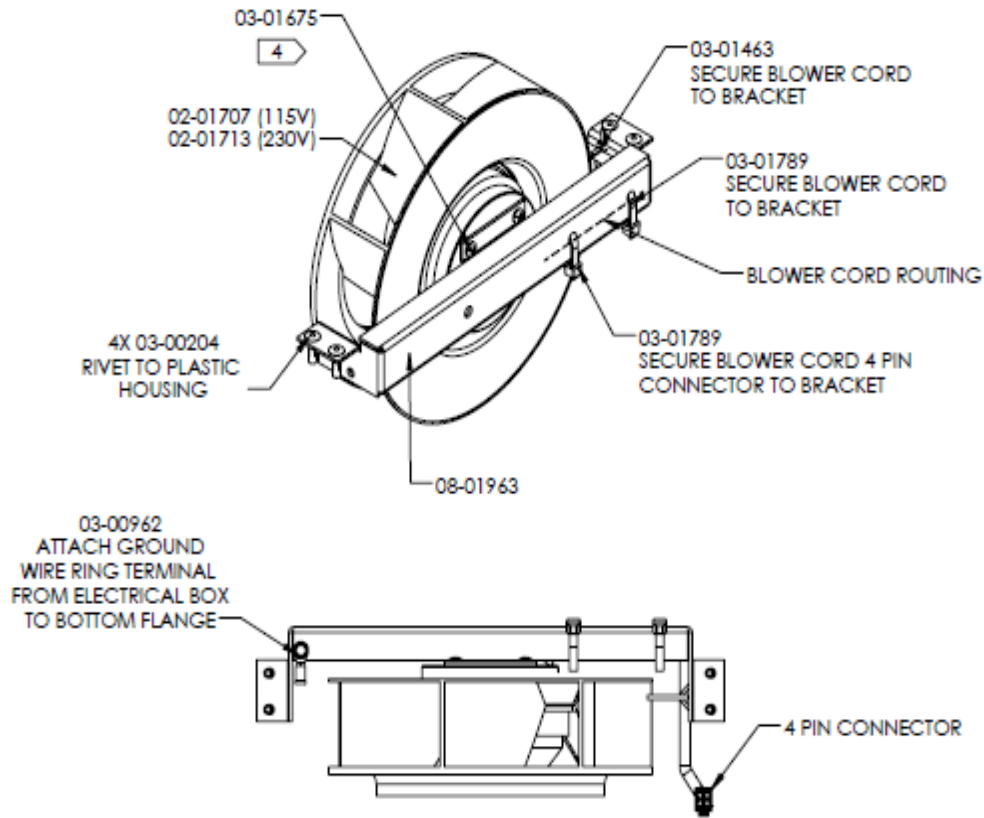
NEW PART NO.	OLD PART NO.	QTY	DESCRIPTION
106508	03-00131	4	FOOT - ROUND 3/16 ID X 1.25 OD X 5/8 RUBBER BLK
112015	03-00204	8	RIVET - 3/16 X 5/8 TRI FOLD AL/AL
119379	03-00962	8	SCREW - #8-32 X 1/4 TC CLASS 2 HWH ZP
104877	08-01925S	1	ELECTRICAL BOX ASSY - HIGH VOLTAGE 115V REVOLUTION
104870	08-01946	1	ELECTRICAL BOX ASSY - HIGH VOLTAGE 230V REVOLUTION

111995 (F413) – 230V BOTTOM ASSEMBLY VIEW



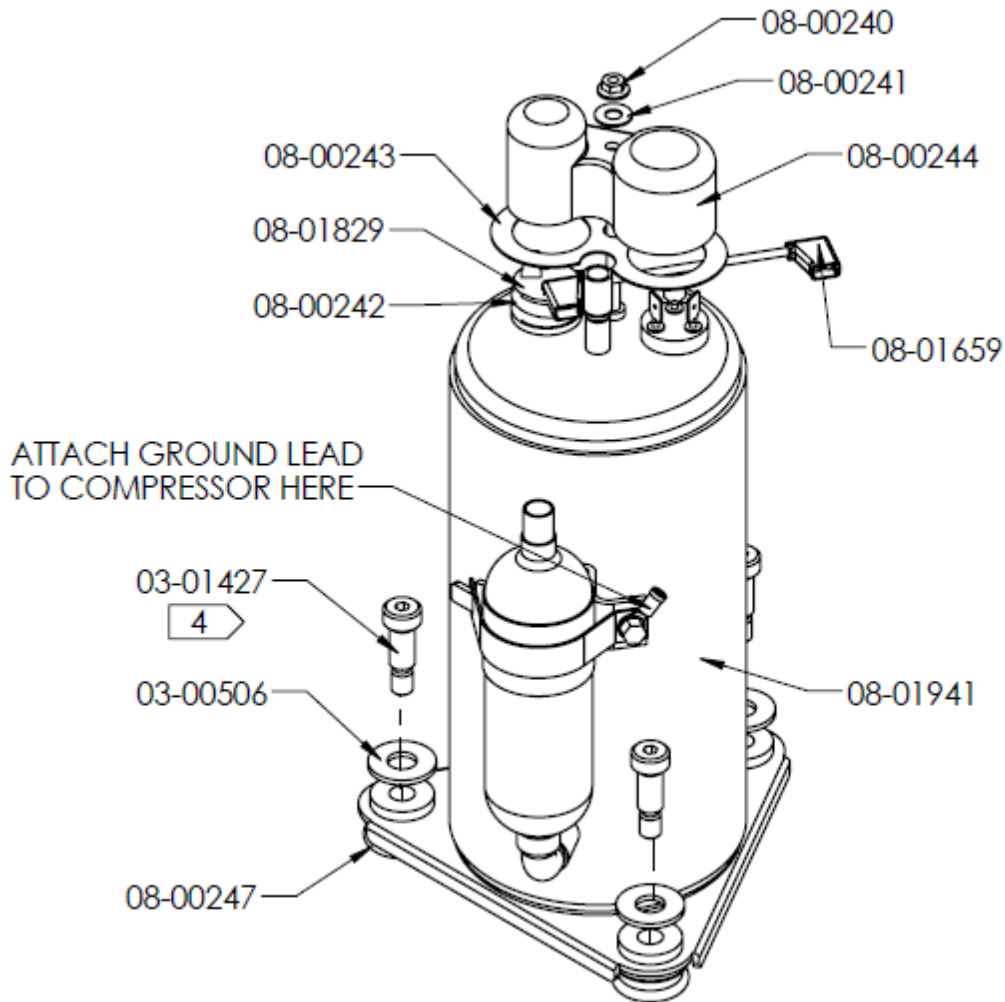
NEW PART NO.	OLD PART NO.	QTY	DESCRIPTION
106508	03-00131	4	FOOT – ROUND 3/16 ID X 1.25 OD X 5/8 RUBBER BLK
112015	03-00204	8	RIVET – 3/16 X 5/8 TRI FOLD AL/AL
119392	03-01784	8	SCREW - #8-32 X 1/4 TC CLASS 12 HWH SS
104870	08-01946	1	ELECTRICAL BOX ASSY - HIGH VOLTAGE 230V REVOLUTION
103393	08-01947	1	COVER - ELECTRICAL BOX SS 230V REVOLUTION

111995 (F413) – 115/230V BLOWER ASSEMBLY VIEW



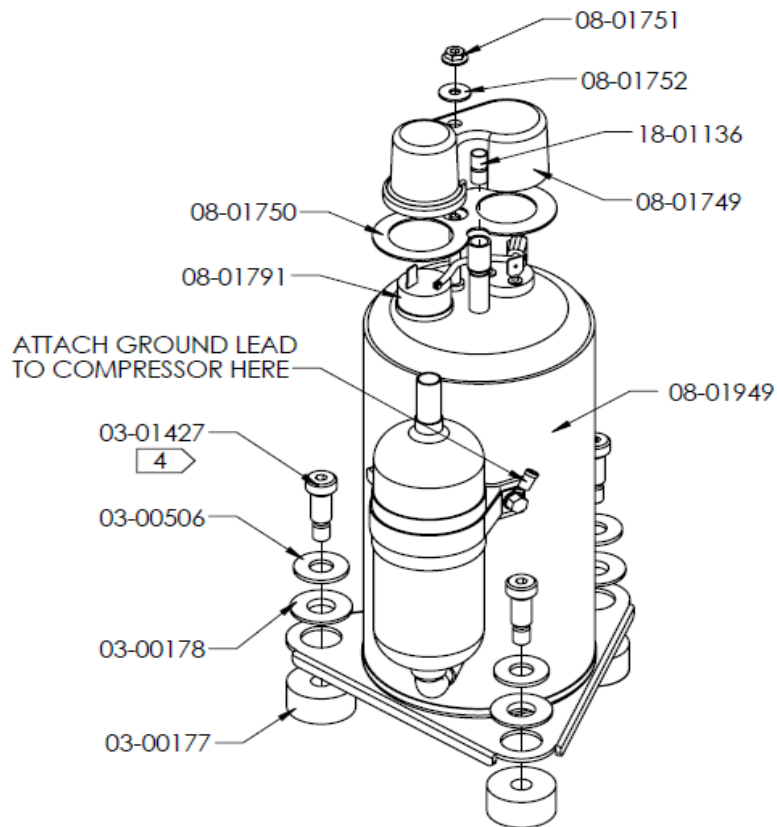
NEW PART NO.	OLD PART NO.	QTY	DESCRIPTION
106964	02-01707	1	BLOWER ASSY - MOTORIZED IMPELLER 115V 65W 2595 RPM REVOLUTION
107625	02-01713	1	BLOWER – ASSY MOTORIZED IMPELLER 230V 79W 2630RPM REVOLUTION
112015	03-00204	4	RIVET – 3/16 X 5/8 TRI FOLD AL/AL
119379	03-00962	1	SCREW - #8-32 X 1/4 TC CLASS 2 HWH ZP
103298	03-01463	1	CABLE TIE – 6 NYLON
114467	03-01675	4	SCREW – M4 X 8MM PHP ZP
109099	03-01789	2	CABLE TIE – 8.0 X .18 WIDE NYLON BLK
101892	08-01963	1	BRACKET - MOTORIZED IMPELLER SHORT GALV STL REVOLUTION

111995 (F413) - 115V COMPRESSOR ASSEMBLY VIEW



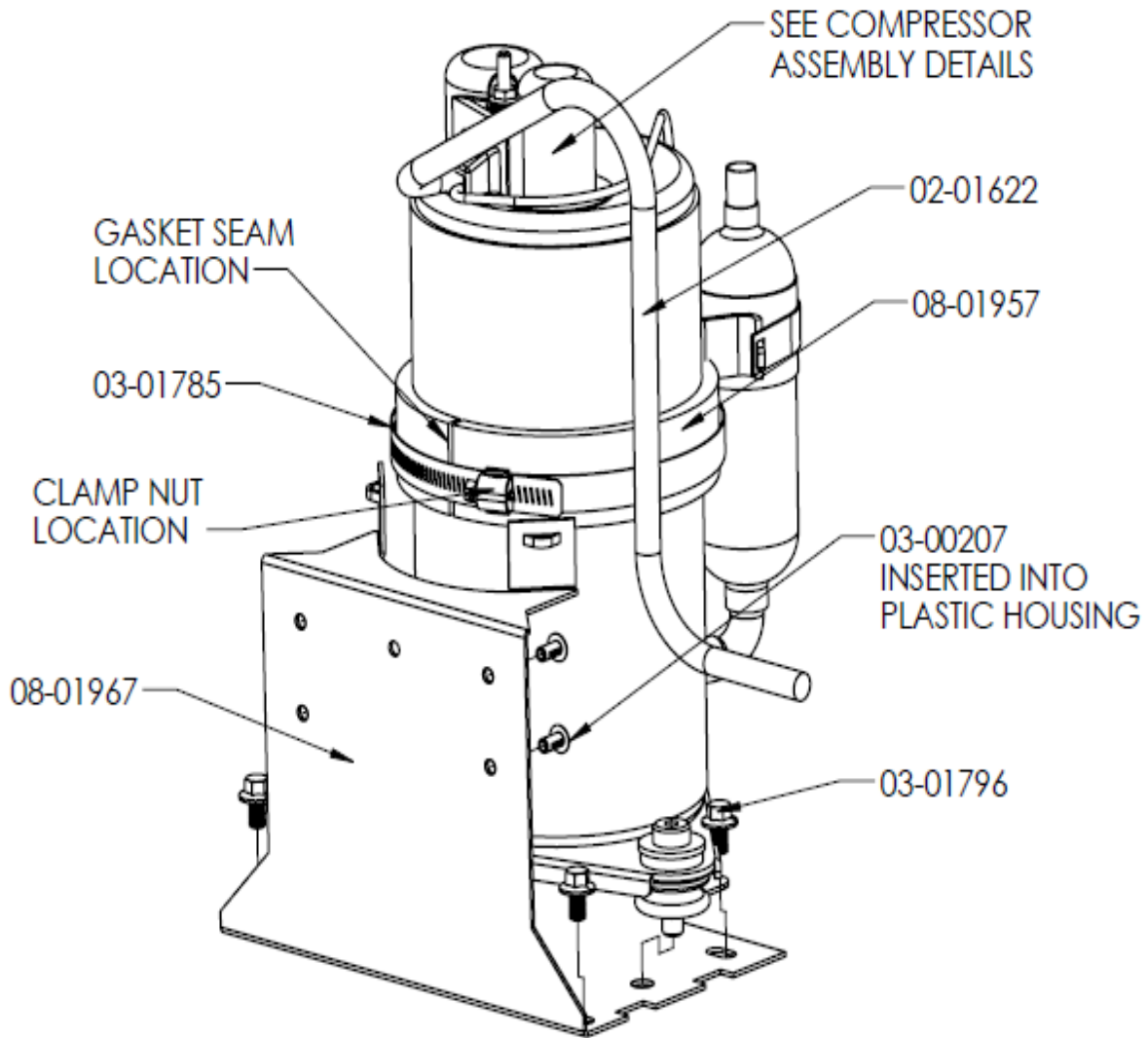
NEW PART NO.	OLD PART NO.	QTY	DESCRIPTION
115108	03-00506	3	WASHER - 3/8 USS .43 ID X 1.0 OD X .08 ZP
101797	03-01427	3	BOLT - SHOULDER 5/16-18 X 3/8 X 3/4
109656	08-00240	1	NUT - TERMINAL COVER HH
120130	08-00241	1	WASHER - GASKET 7/32 ID X 9/16 OD RBR
119615	08-00242	1	SPRING - 1-1/16 OD X 1/2 H
105192	08-00243	1	GASKET - TERMINAL CVR 2-5/16 X 3 - 9/16 X .036 RBR
103476	08-00244	1	COVER - TERMINAL 3-1/4 X 2-1/8 X 1-5/8 PLASTIC
106933	08-00247	3	GROMMET - .38 ID X 1.13 OD RUBBER BLACK
115558	08-01659	1	WIRE LEAD - COMPRESSOR OVERLOAD
111565	08-01829	1	OVERLOAD - COMPRESSOR
110772	08-01941	1	COMPRESSOR - ROTARY 115V 6926 BTU R410A

111995 (F413) – 230V COMPRESSOR ASSEMBLY VIEW



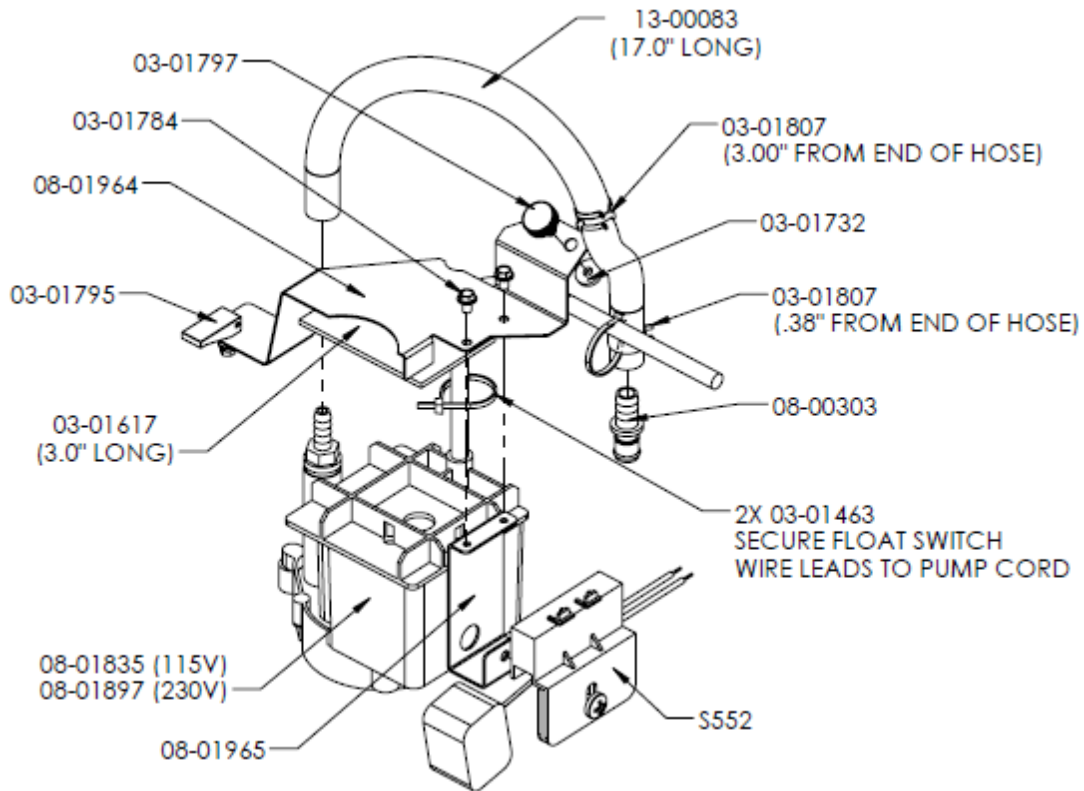
NEW PART NO.	OLD PART NO.	QTY	DESCRIPTION
105425	03-00177	3	GROMMET - .38 ID X 1.25 OD X .63 RUBBER BLK
114842	03-00178	3	WASHER – SHOULDER .51 ID X 1.13 OD X .09 NYLON
115108	03-00506	3	WASHER - .375 USS .438 ID X 1.00 OD X .083 THK ZP
101797	03-01427	3	BOLT SHOULDER 5/16 -18 X 3/8 X 3/4
103147	08-01749	1	COVER – COMPRESSOR TERMINAL LG 8600-R410A
105183	08-01750	1	GASKET – COMPRESSOR TERMINAL COVER 115V LG 8600-R410A
109653	08-01751	1	NUT – COMPRESSOR TERMINAL COVER 115V 8600-R410A
116612	08-01752	1	WASHER – COMPRESSOR TERMINAL COVER 115V LG 8600-R410A
109846	08-01791	1	OVERLOAD – COMPRESSOR 230V LG 6600-R410A
103107	08-01949	1	COMPRESSOR - ROTARY 230V 7050 BTU R410A
121740	18-01136	1	FITTING – COUPLING 1/4 COPPER AC-R

111995 (F413) – 115/230V COMPRESSOR MOUNTING BASE VIEW



NEW PART NO.	OLD PART NO.	QTY	DESCRIPTION
103336	02-01622i	1	CORD SET – COMPRESSOR
112013	03-00207	4	RIVET – 3/16 X 3/8 TRI FOLD AL/AL
103597	03-01785	1	CLAMP – HOSE 5 IN DIA X 1/2 BAND SAE 72 WORM DRIVE SS
112603	03-01796	4	SCREW – M6 X 1.0 X 10MM SER HWH SS
105383	08-01957	1	GASKET – COMPRESSOR BAND CLAMP REVOLUTION
101343	08-01967	1	BASE – COMPRESSOR MTG SS REVOLUTION LGR

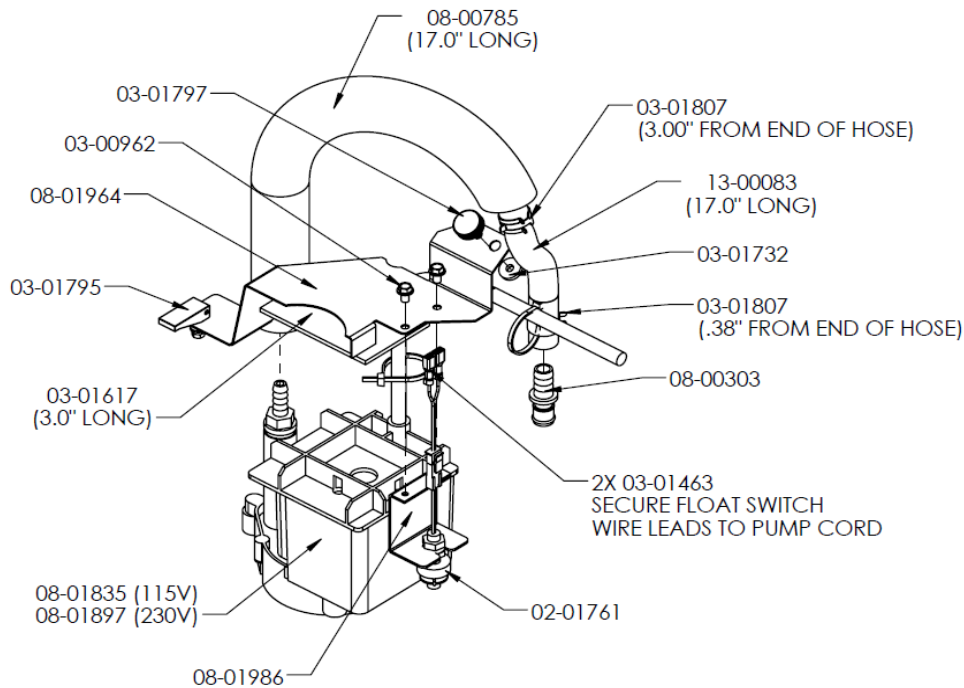
111995 (F413) – 115/230V PUMP ASSEMBLY VIEW



(UP TO MANUFACTURERS DATE 10-08-2014)

NEW PART NO.	OLD PART NO.	QTY	DESCRIPTION
116831	S552	1	FLOAT SWITCH RETORFIT KIT F413/F515
103298	03-01463	2	CABLE TIE – 6 NYLON
105380	03-01617	1	GASKET - 2.00 X 3.00 X .125 EPDM PSA
120134	03-01732	1	WASHER - .17 ID X .50 OD X .09 NEOPR RUBBER
119392	03-01784	2	SCREW - #8-32 X 1/4 TC CLASS 2 HWH SS
118038	03-01795	1	LATCH – SWELL ACTION NYLON BLK
119423	03-01797	1	SCREW – THUMB M5 X 0.8 X 10MM KNURLED 16MM DIA BLK
110196	03-01807	2	CLAMP - HOSE 5/8 DIA SPRING STL ZP
105026	08-00303	1	FITTING – QUICK DISCONNECT INSERT 3/8 BARB
119094	08-01835	1	PUMP - SUBMERSIBLE 115V 1.3 GPM 4FT CORD
111351	08-01897	1	PUMP – SUBMERSIBLE 230V 1.3 GPM 4FT CORD
108041	08-01964	1	BRACKET – PUMP HOLD DOWN SS REVOLUTION
108054	08-01965	1	BRACKET – MOUNTING OVERFLOW SWITCH REVOLUTION
116346	13-00083	1	TUBING – 3/8 ID X 5/8 OD BRAIDED PVC

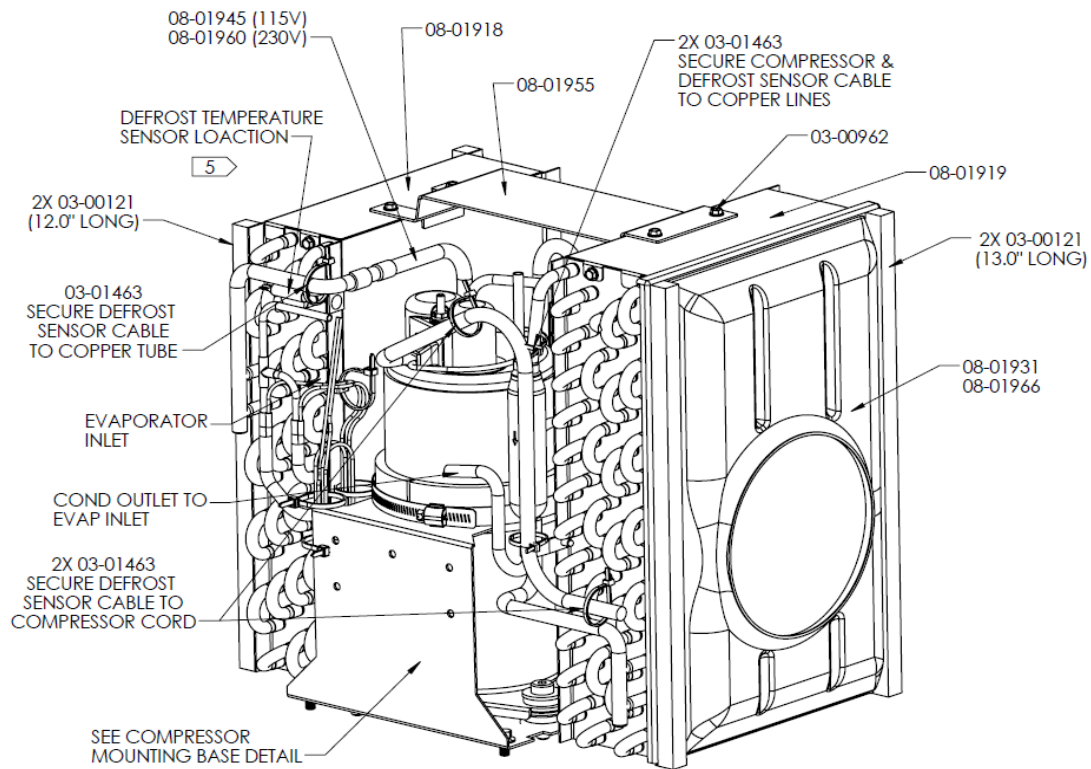
111995 (F413) – 115/230V PUMP ASSEMBLY VIEW



(FROM MANUFACTURERS DATE 10-09-2014)

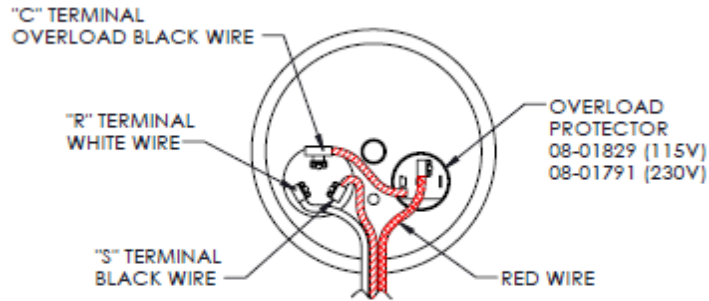
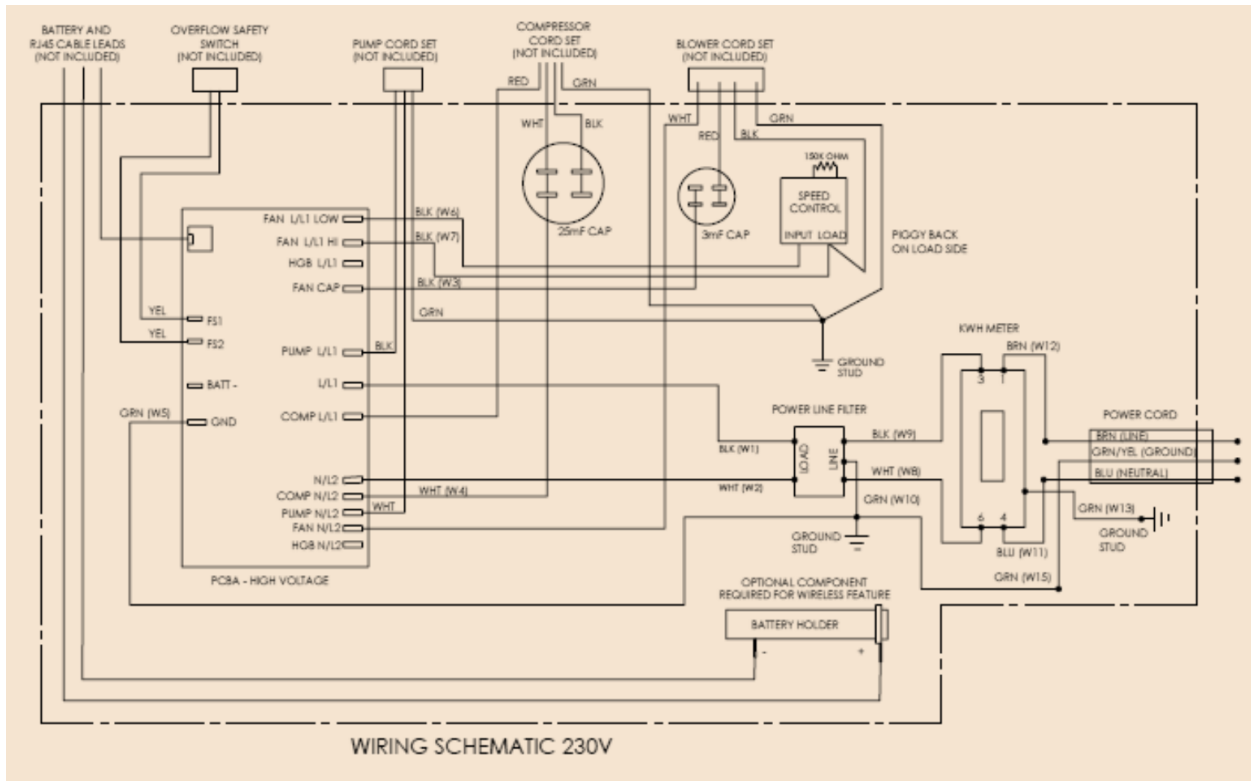
NEW PART NO.	OLD PART NO.	QTY	DESCRIPTION
113355	02-01761	1	SWITCH - SPLIT MAGNETIC FLOAT
119379	03-00962	2	SCREW - #8-32 X 1/4 TC CLASS 2 HWH ZP
103298	03-01463	2	CABLE TIE - 6 NYLON
105380	03-01617	1	GASKET - 2.00 X 3.00 X .125 EPDM PSA
120134	03-01732	1	WASHER - .17 ID X .50 OD X .09 NEOPR RUBBER
118038	03-01795	1	LATCH - SWELL ACTION NYLON BLK
119423	03-01797	1	SCREW - THUMB M5 X 0.8 X 10MM SS KNURLED 16MM DIA BLK
110196	03-01807	2	CLAMP - HOSE 5/8 DIA SPRING STL ZP
105026	08-00303	1	FITTING - QUICK DISCONNECT INSERT 3/8 BARB
106559	08-00785	1	INSULATION - PIPE .375 ID X .375 WALL VINYL NITRILE 17" LONG
108041	08-01964	1	BRACKET - PUMP HOLD DOWN SS REVOLUTION
102917	08-01986	1	BRACKET - MOUNTING PUMP & OVERFLOW SWITCH REVOLUTION LGR
119094	08-01835	1	PUMP - SUBMERSIBLE 115V 1.3 GPM 4FT CORD
111351	08-01897	1	PUMP - SUBMERSIBLE 230V 1.3 GPM 4FT CORD
116346	13-00083	1	TUBING - 3/8 ID X 5/8 OD BRAIDED PVC 17" LONG

111995 (F413) – 115/230V EVAPORATOR AND CONDENSER VIEW



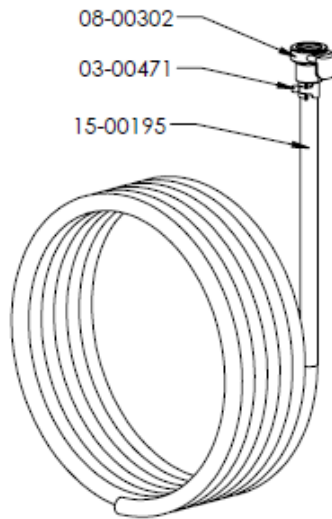
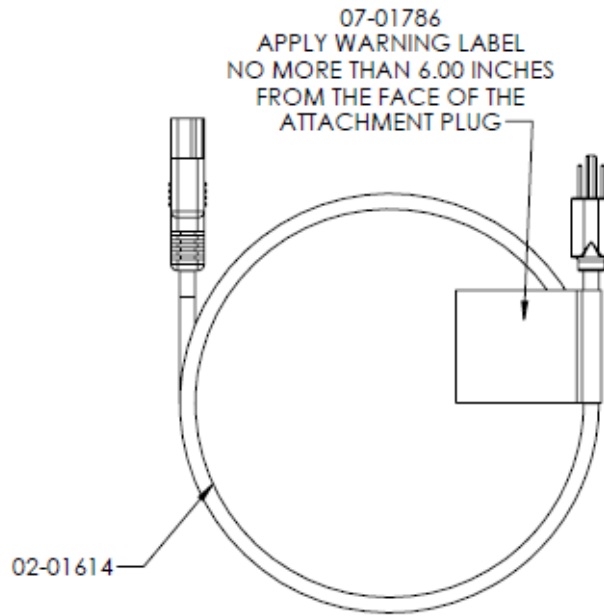
NEW PART NO.	OLD PART NO.	QTY	DESCRIPTION
105177	03-00121	2	GASKET - 1/2 X 1/2 POLYURETHANE PSA 12" LONG
105177	03-00121	2	GASKET - 1/2 X 1/2 POLYURETHANE PSA 13" LONG
119379	03-00962	4	SCREW - #8-32 X 1/4 TC CLASS 2 HWH ZP
103298	03-01463	5	CABLE TIE - 6 NYLON
102991	08-01918	1	COIL ASSY - EVAPORATOR 410A REVOLUTION
103688	08-01919	1	COIL ASSY - CONDENSER 410A REVOLUTION
113029	08-01931	1	SHROUD - IMPELLER ABS BLK REVOLUTION
113959	08-01945	1	REFRIGERATION LINES - 115V REVOLUTION
102911	08-01955	1	BRACKET - COILS GALV STL REVOLUTION
113958	08-01960	1	REFRIGERATION LINES - 230V REVOLUTION
113030	08-01966	1	SHROUD - IMPELLER ABS ROHS BLK REVOLUTION

111995 (F413) - 230V WIRING SCHEMATIC



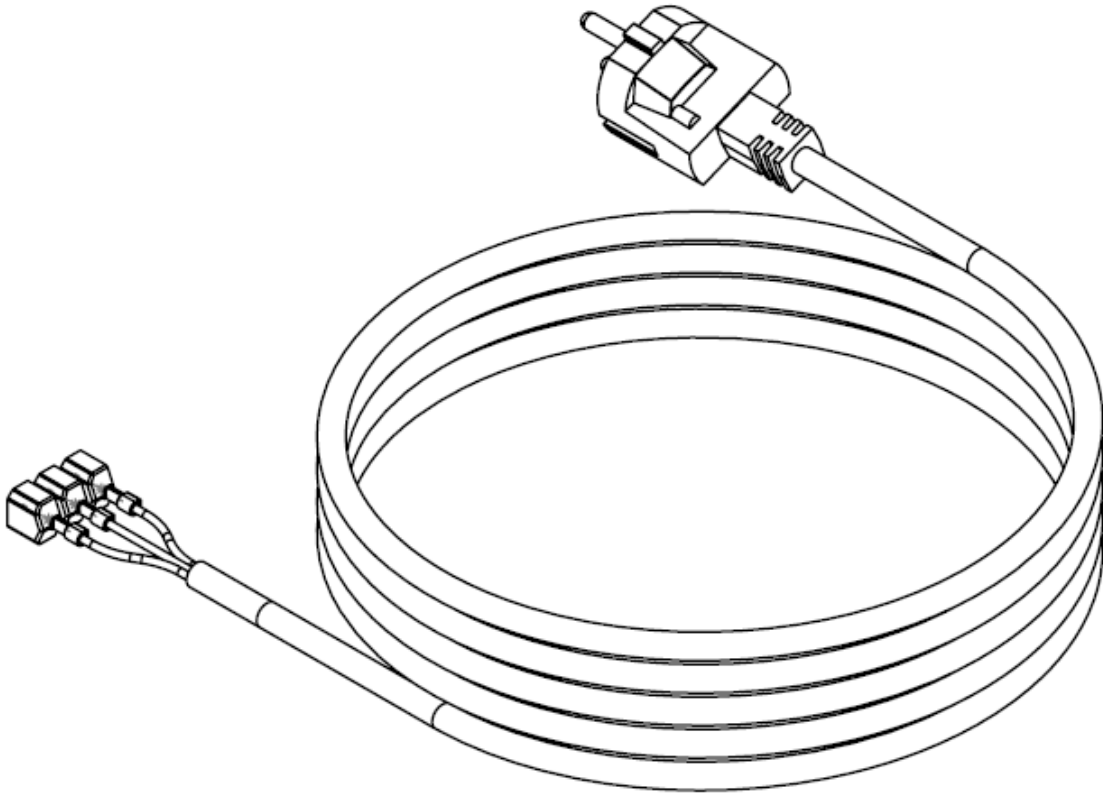
COMPRESSOR WIRING DETAIL

111995 (F413) - 115V POWER CORD & (HOSE 115V & 230V)



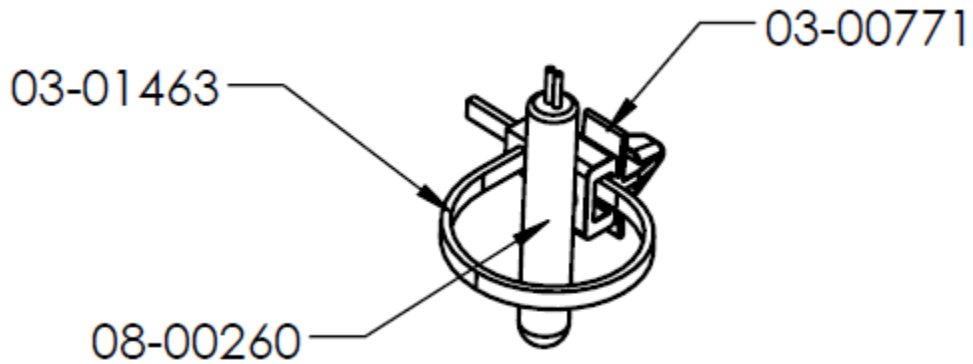
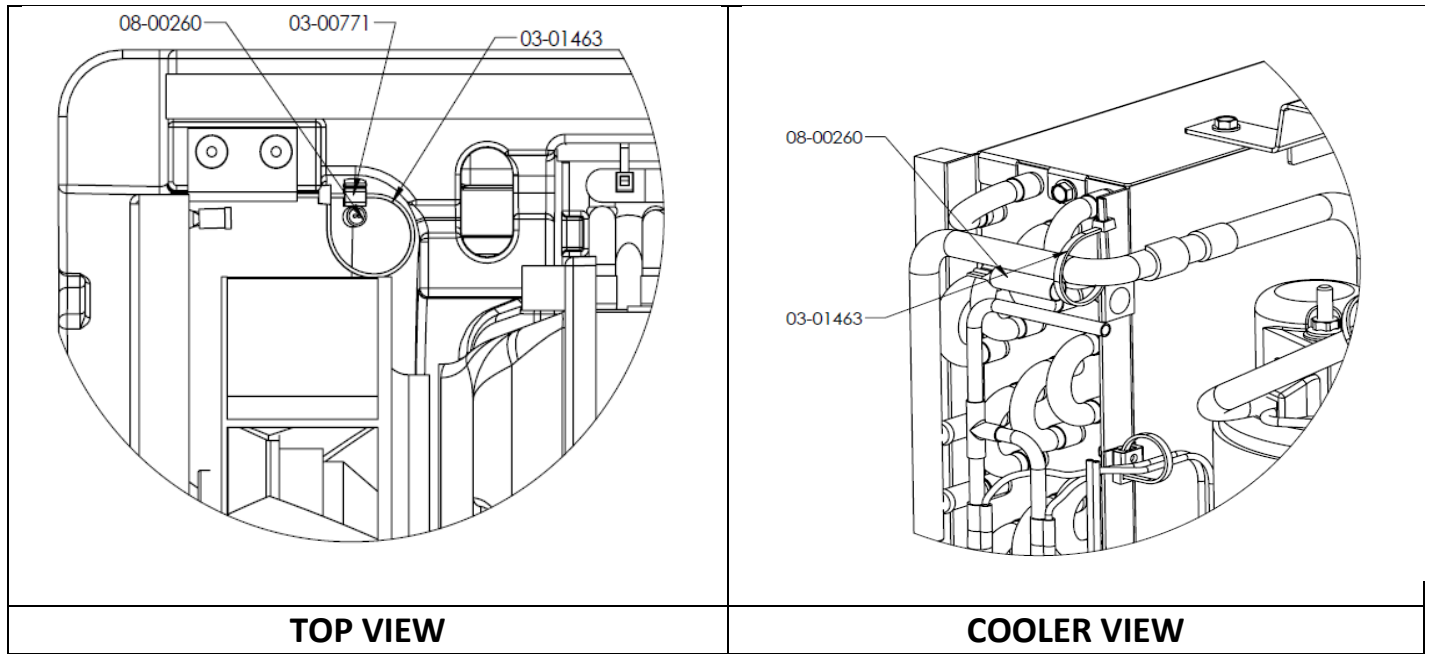
NEW PART NO.	OLD PART NO.	QTY	DESCRIPTION
119050	02-01614	1	POWER CORD ASSY - 14/3 SJT NEMA 5-15P/IEC C13 25FT
117956	07-01786	1	LABEL - WARNING POWER CORD DEHUS
116125	15-00195	40FT	TUBE - 1/4 ID X 3/8 OD X 40FT (ONLY NEED ONE PER UNIT)

111995 (F413) – 230V POWER CABLE VIEW



NEW PART NO.	OLD PART NO.	QTY	DESCRIPTION
111064	02-01680	1	POWER CORD ASSY – 3 X 1.0MM HO7RNF CEE77 25FT

111995 (F413) – 115/230V OUTLET SENSOR VIEWS



NEW PART NO.	OLD PART NO.	QTY	DESCRIPTION
111584	03-00771	2	PUSH MOUNT – NYLON
103298	03-01463	2	CABLE TIE – 6 NYLON
119488	08-00260	2	SENSOR CABLE ASSY – MICRO CONTROLLER TEMP DEFROST DEUS